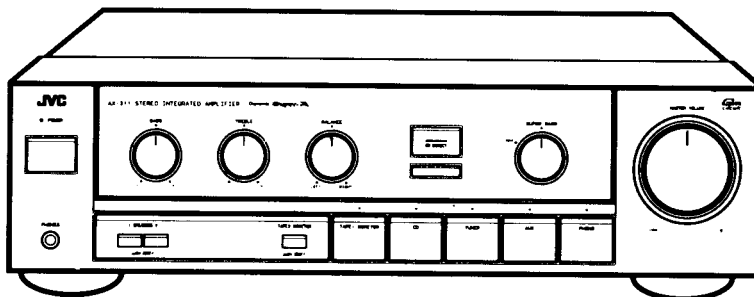


JVC

SERVICE MANUAL

STEREO INTEGRATED AMPLIFIER

MODEL No. **AX-311BK**



Contents

	Page		Page
Safety Precautions.....	1-2	Block Diagram	1-8
Specifications.....	1-3	Internal Block Diagrams of ICs.....	1-9
Front Panel.....	1-4	Connection Diagram	1-10
Operation.....	1-5	Schematic Diagrams.....	Insertion
Removal Procedures.....	1-6	Printed Circuit Boards.....	Insertion
Adjustment Procedures.....	1-7	Parts List.....	Separate Volume Insertion

Safety Precautions

1. The design of this product contains special hardware and many circuits and components specially for safety purpose. For continued protection, no changes should be made to the original design unless authorized in writing by the manufacturer. Replacement parts must be identical to those used in the original circuits. Service should be performed by qualified personnel only.
2. Alterations of the design or circuitry of the product should not be made. Any design alterations of the product should not be made. Any design alterations or additions will void the manufacturer's warranty and will further relieve the manufacturer of responsibility for personal injury or property damage resulting therefrom.
3. Many electrical and mechanical parts in the product have special safety-related characteristics. These characteristics are often not evident from visual inspection nor can the protection afforded by them necessarily be obtained by using replacement components rated for higher voltage, wattage, etc. Replacement parts which have these special safety characteristics are identified in the Parts List of Service Manual. Electrical components having such features are identified by shading on the schematics and by (\triangle) on the Parts List in the Service Manual. The use of a substitute replacement which does not have the same safety characteristics as the recommended replacement part shown in the Parts List of Service Manual may create shock, fire, or other hazards.
4. The leads in the products are routed and dressed with ties, clamps, tubings, barriers and the like to be separated from live parts, high temperature parts, moving parts and/or sharp edges for the prevention of electric shock and fire hazard. When service is required, the original lead routing and dress should be observed, and it should be confirmed that they have been returned to normal, after re-assembling.
5. Leakage current check (Electrical shock hazard testing)
After re-assembling the product, always perform an isolation check on the exposed metal parts of the product (antenna terminals, knobs, metal cabinet, screw heads, headphone jack, control shafts, etc.) to be sure the product is safe to operate without danger of electrical shock.

Do not use a line isolation transformer during this check.

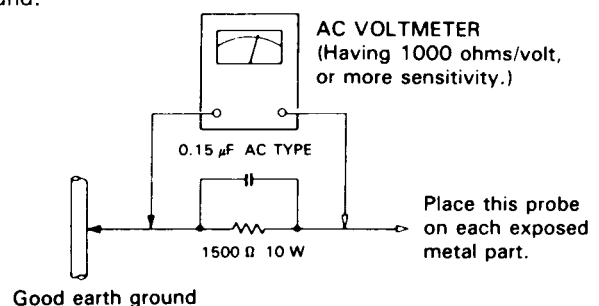
- Plug the AC line cord directly into the AC outlet. Using a "Leakage Current Tester", measure the leakage current from each exposed metal part of the cabinet, particularly any exposed metal part having a return path to the chassis, to a known good earth ground. Any leakage current must not exceed 0.5 mA AC (r.m.s.).

- Alternate check method

Plug the AC line cord directly into the AC outlet. Use an AC voltmeter having 1,000 ohms per volt or more sensitivity in the following manner. Connect a 1,500 Ω 10 W resistor paralleled by a 0.15 μ F AC-type capacitor between an exposed metal part and a known good earth ground.

Measure the AC voltage across the resistor with the AC voltmeter.

Move the resistor connection to each exposed metal part, particularly any exposed metal part having a return path to the chassis, and measure the AC voltage across the resistor. Now, reverse the plug in the AC outlet and repeat each measurement. Any voltage measured must not exceed 0.75 V AC (r.m.s.). This corresponds to 0.5 mA AC (r.m.s.).



Warning

1. This equipment has been designed and manufactured to meet international safety standards.
2. It is the legal responsibility of the repairer to ensure that these safety standards are maintained.
3. Repairs must be made in accordance with the relevant safety standards.
4. It is essential that safety critical components are replaced by approved parts.
5. If mains voltage selector is provided, check setting for local voltage.

Specifications

AX-311BK

OVERALL CHARACTERISTICS

Output power:

80 watts per channel into 4 ohms at 1 kHz (DIN).

60 watts per channel into 8 ohms at 1 kHz (DIN).

55 watts per channel, min. RMS, both channels driven, into 8 ohms from 20 Hz to 20 kHz, with no more than 0.007% total harmonic distortion.

55 watts per channel, min. RMS, both channels driven, into 8 ohms at 1 kHz with no more than 0.003% total harmonic distortion. (measured by JVC Audio Analyzer System)

Total harmonic distortion	: 0.007% (20 Hz — 20 kHz, 8 ohms) at 55 watts
Intermodulation distortion	: 0.007% (60 Hz : 7 kHz = 4 : 1, 8 ohms) at 55 watts
Power band width	: 5 Hz — 50 kHz (IHF, 0.05%, 8 ohms both channels driven)
Frequency response	: 5 Hz — 80 kHz +0, -3 dB (8 ohms)
Damping factor	: 90 (1 kHz, 8 ohms)
Input terminals	
Input sensitivity/impedance (1 kHz)	
PHONO	: 2.5 mV/47 kohms
CD/AUX/	: 200 mV/43 kohms
TUNER/TAPE 1, 2	
Signal-to-noise ratio	
PHONO	: 74 dB ('66 IHF)
CD/AUX/	: 104 dB ('66 IHF)
TUNER/TAPE 1, 2	
PHONO (REC OUT)	: 80 dB ('78 IHF)
CD/AUX/	: 76 dB ('78 IHF)
TUNER/TAPE 1, 2 (SP OUT)	
PHONO	: 67 dB (DIN)
CD/AUX/	: 68 dB (DIN)
TUNER/TAPE 1, 2	
Tone controls	: TREBLE: +8 ± 1 dB -8 ± 1 dB (at 10 kHz)
	: BASS: +8 ± 1 dB -8 ± 1 dB (at 100 Hz)
SUPER BASS (Volume control at -30 dB position)	: +6 dB (at 50 Hz)

EQUALIZER

PHONO overload capacity	: 95 mV (0.02% THD)
PHONO RIAA deviation	: ± 0.5 dB (20 Hz — 20 kHz)

Recording output

Output level/impedance	
TAPE REC-1, 2	: 200 mV/Maximum 2 kohms

GENERAL

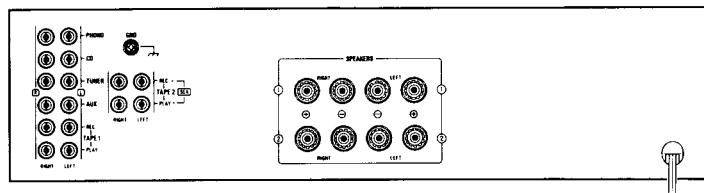
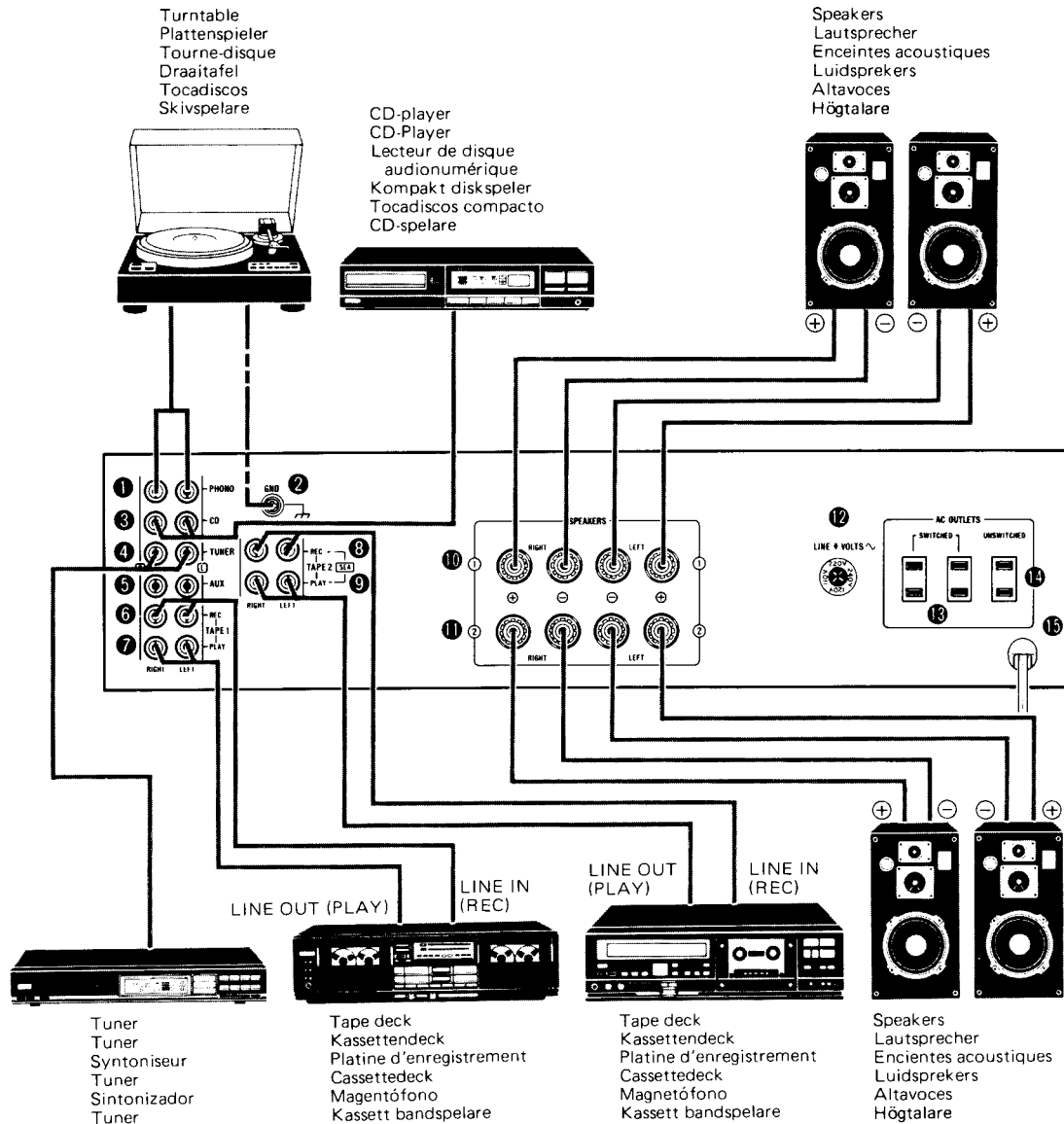
Dimensions	: 435 (W) x 127 (H) x 310 (D) mm (17-3/16" x 4-15/16" x 12-1/16")
Weight	: 7.2 kg (15.9 lbs.)

Design and specifications subject to change without notice.

POWER SPECIFICATIONS

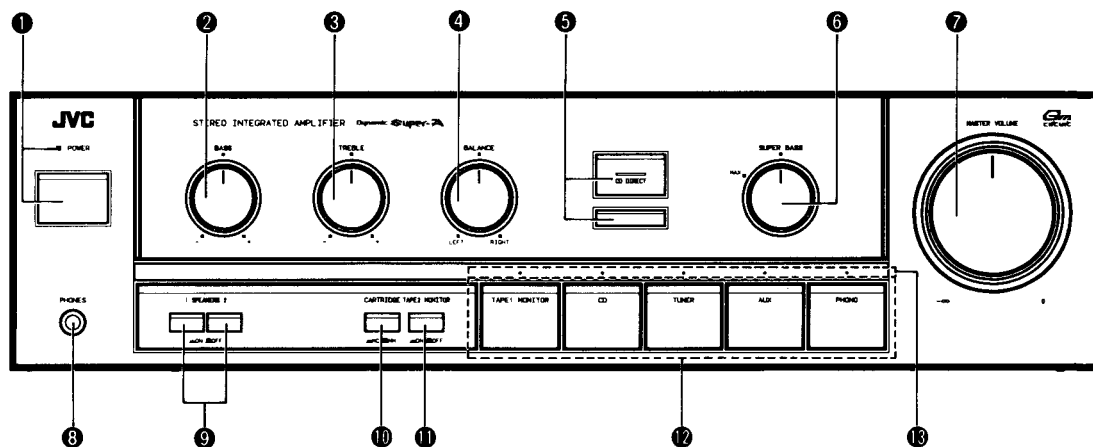
Areas	Line voltage & frequency	Power consumption	
		AX-311BK	AX-411BK
Continental Europe	AC 220 V~, 50 Hz	220 watts	240 watts
U.K.	AC 240 V~, 50 Hz	510 watts	590 watts
Australia			
Other areas	AC 110/120/220/240 V~ selectable, 50/60 Hz	220 watts	240 watts

**CONNECTION DIAGRAM
ANSCHLUSSDIAGRAMM
SCHEMA DE RACCORDEMENTS
AANSLUITINGSSCHEMA
DIAGRAMA DE CONEXIONES
ANSLUTNINGSSCHEMA**



Provided on units for Continental Europe, the United Kingdom and Australia.
Vorhanden an Geräten für Kontinentaleuropa, Großbritannien und Australien.
Fourni sur les appareils pour l'Europe Continentale, le Royaume-Uni et l'Australie.
Aanwezig op apparaten voor het Europees Vasteland, Groot-Brittannië en Australië.
Se provee en las unidades para Europa Continental, el Reino Unido y Australia.
För kontinental Europa, Storbritannien och Australien.

FRONT PANEL

**1 POWER and indicator**

Press this button to turn the power on. To turn the power off, press it again. The indicator lights when the POWER button is pressed to on.

Notes:

- When power is not supplied to this amplifier for 2 — 3 days, the source select button pressed before the power was switched off may be lost when the power is switched on again. If this happens, set the buttons, etc. again.
- An electronic source selector is used in this unit. When the POWER button is first switched on, two or more sources or no source may be selected. Make sure to input the source select data by pressing one of the source selectors.
- If the POWER button is pressed repeatedly to switch on and off too quickly, the same phenomenon as the above will occur.

2 BASS

Turn clockwise to boost bass response and counterclockwise to decrease it.

3 TREBLE

Turn clockwise to boost treble response and counterclockwise to decrease it.

4 BALANCE

Balances the volume between the left and right speakers. Usually set it to the center click position.

5 CD DIRECT and indicator

Press this button to enjoy listening to the CD with good sound quality. The indicator lights and the signal fed from the CD terminals is directly connected to the volume, bypassing the circuits on the way, thus allowing you to enjoy listening to an improved sound quality.

Note:

- While the CD DIRECT button is pressed, the reproduced sound does not change even if the source selector (including TAPE 2 MONITOR) and BALANCE volume are operated, press the CD DIRECT button again to turn the indicator off when using these.

6 SUPER BASS

When sound volume is turned down, the human ear tends to become less aware of bass sound. At low sound levels the SUPER BASS knob can be used to emphasize the bass sound. For ordinary use, the knob should be set to the normal position.

7 MASTER VOLUME

Controls the volume of the speakers and headphones.

8 PHONES (Headphones jack)

Plug stereo headphones into this jack for private listening. If you want to listen to sound from the headphone only, press the SPEAKERS buttons to "OFF".

9 SPEAKERS

Press to switch the speakers connected to the SPEAKERS 1 or 2 terminals on (—) and off (■).

10 CARTRIDGE (AX-411BK only)

MC (—): Press in when using an MC cartridge having an output of less than 0.5 mV.
MM (■): Press again when using an MM or MC cartridge having an output of more than 0.5 mV.

11 TAPE 2 MONITOR

ON (—): Set to this position to listen to the tape deck connected to the TAPE 2 terminals of this unit. If your tape deck is of the 3-head type, you can monitor the recorded sound while recording by setting this button to ON.
OFF (■): Keep this button set to this position, except when you want to listen to the tape deck connected to the TAPE 2 terminals of this unit.

12 Source selector**TAPE 1 MONITOR**

Press to listen to a tape deck connected to the TAPE 1 terminals.

CD

Press to listen to the source connected to the CD terminals.

TUNER

Press to listen to radio broadcasts by a tuner connected to the TUNER terminals.

AUX

Press to listen to the source connected to the AUX terminals.

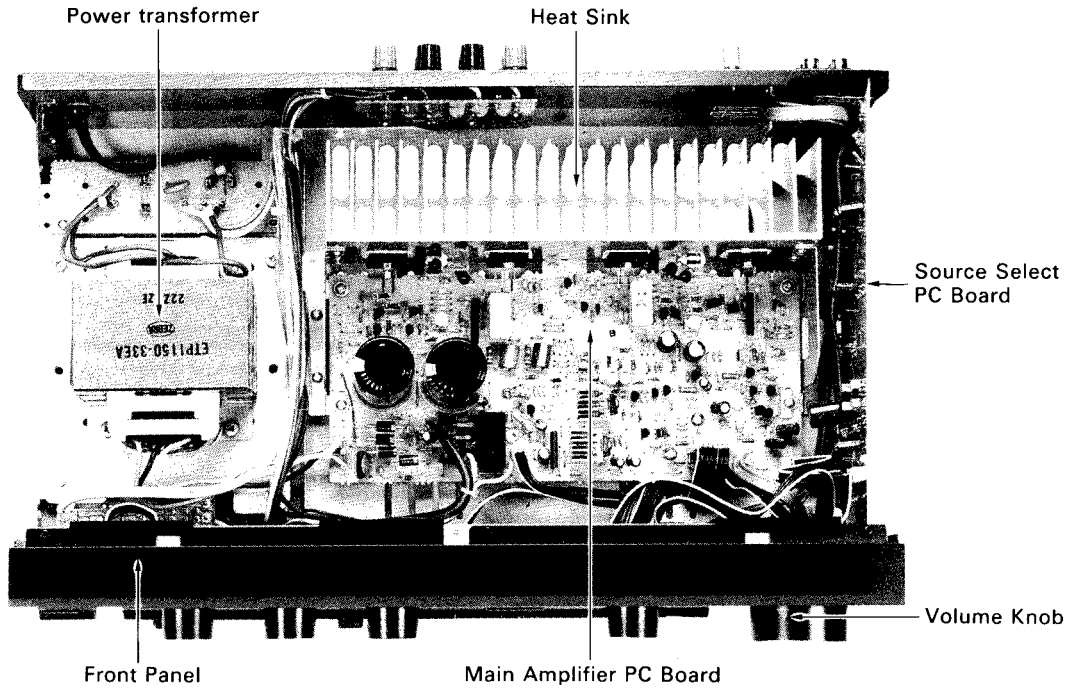
PHONO

Press to listen to records played by a turntable connected to the PHONO terminals.

13 Source indicator

The indicator corresponding to the source select button pressed lights.

Removal Procedures



■ Removing the Top Cover

1. Remove six screws.
2. Remove the top cover by lifting up its rear section and pulling it backward while holding it on incline.

■ Removing the Front Panel

1. Remove the top cover.
2. Pull out the volume knob.
3. Remove three plastic rivets on the upper part of the front panel and three screws from the lower part.

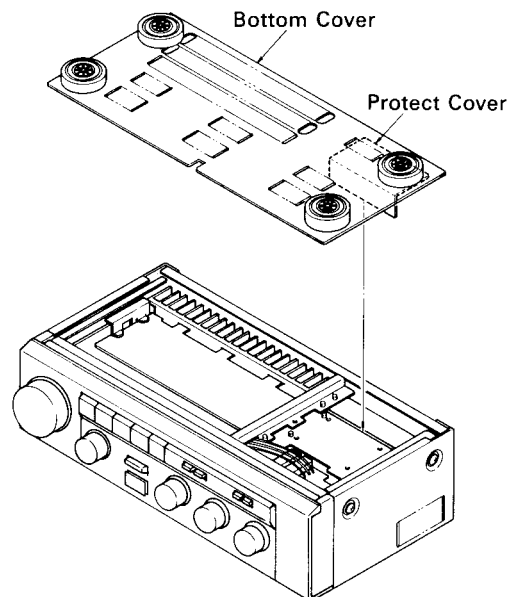
■ Removing the Bottom Cover

1. Remove 17 screws fixing the bottom cover.

Note : When installing the bottom cover, properly insert the protect cover between the power transformer and the power primary PC board as shown in the figure at right.

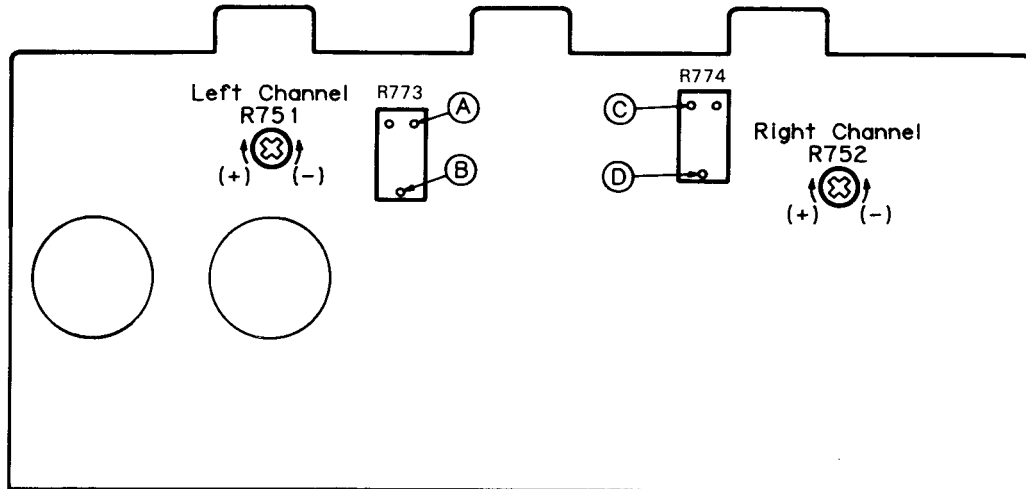
■ Removing the Power Transistors

1. Remove the top cover.
2. Remove the bottom cover.
3. Remove the retaining screw from the defective power transistor and replace it.



Adjustment Procedures

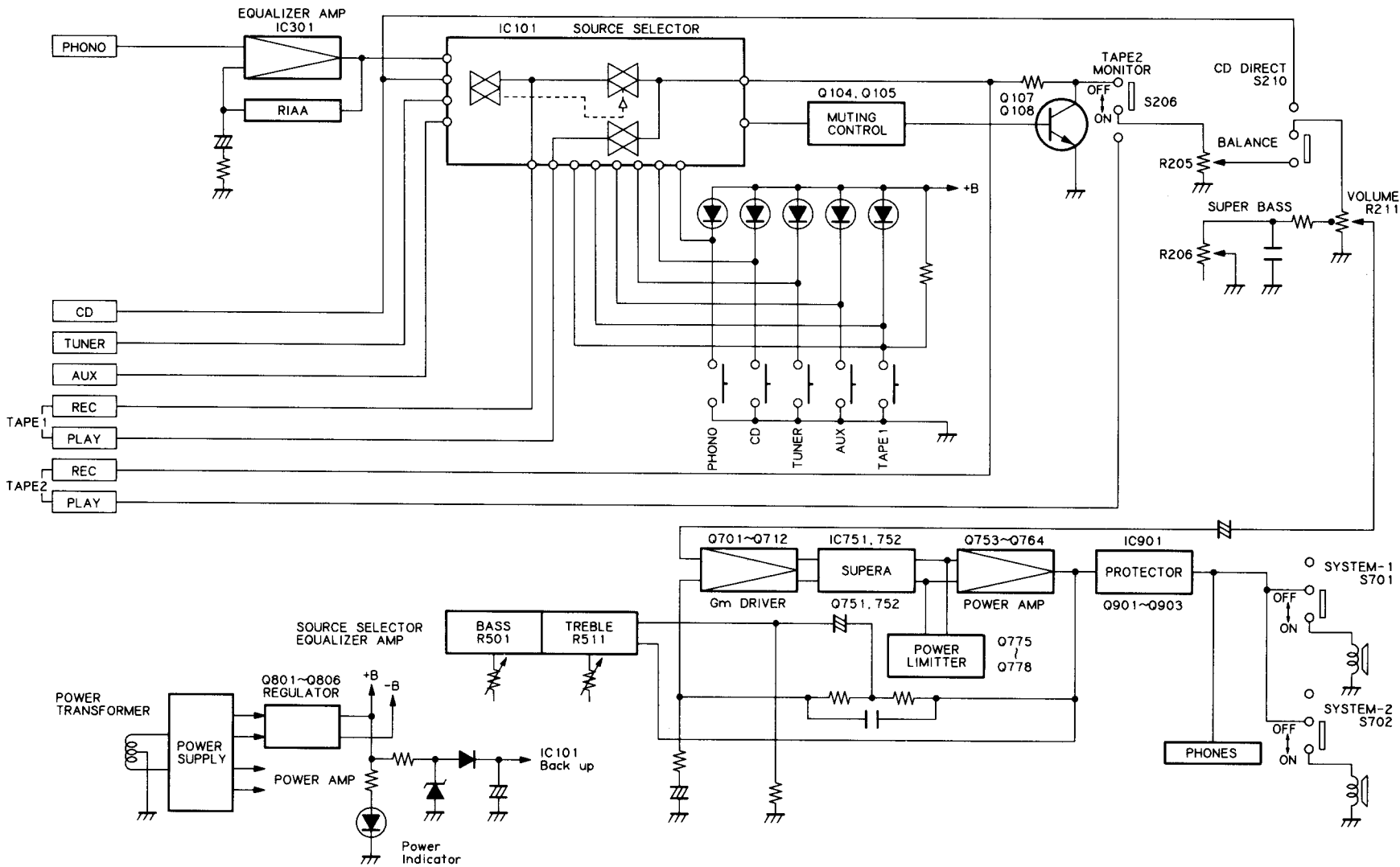
■ Power Amplifier Idling Adjustment



1. Before turning on the power, turn the the semi-fixed resistors (R751 for L channel and R752 for R channel) of the power amplifier circuit board fully counterclockwise.
2. Adjust the semi-fixed resistor (R751 and R752) so that the voltage at the following test points of the power amplifier circuit board is within a range of 3 ~ 5 mV after the power is turned on.
 - L channel: Measure the voltage between test point ① (emitter of Q761) and output at the test point ②.
 - R channel: Measure the voltage between test point ③ (emitter of Q762) and output at the test point ④.
3. Readjust resistors R751 and R752 about 10 minutes after the power is turned on (the heatsink temperature must be sufficiently high) so that the voltage at the test points becomes 11 mV. Confirm that the voltage does not vary when the heatsink temperature increases further.

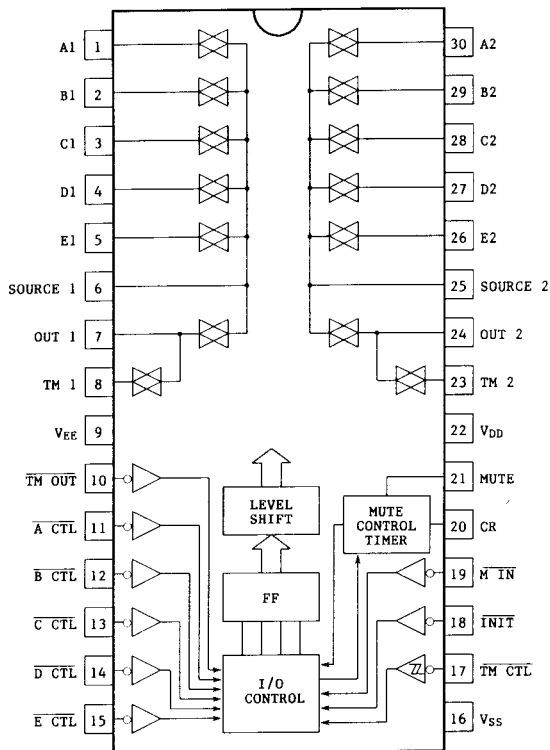
Note: Be sure to perform the measurement with the probes and cabinet of the measuring equipment separated from the grounding terminals of AX-311BK or other measuring equipment.

Block Diagram

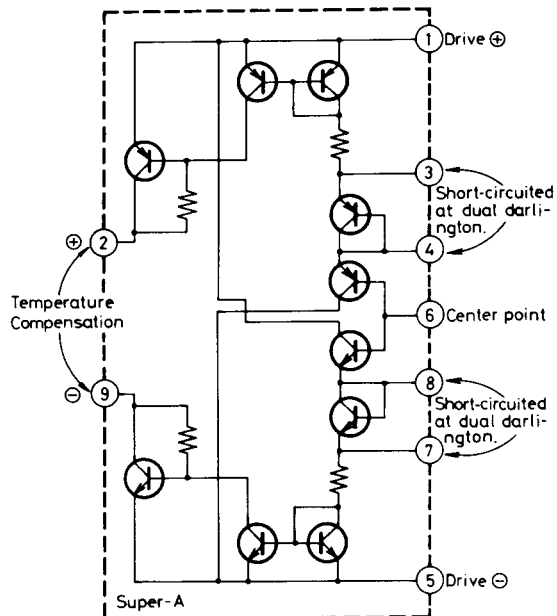


Internal Block Diagrams of ICs

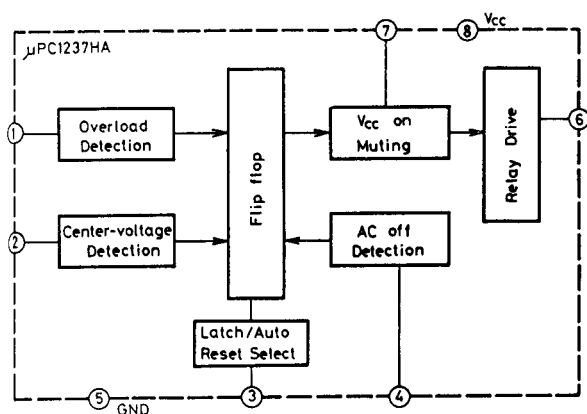
■ LC7818 (IC101): Analog Switch



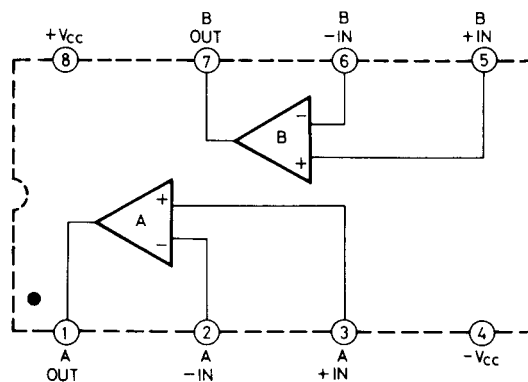
■ VC5022 [X, Y] (IC751, IC752): Super-A



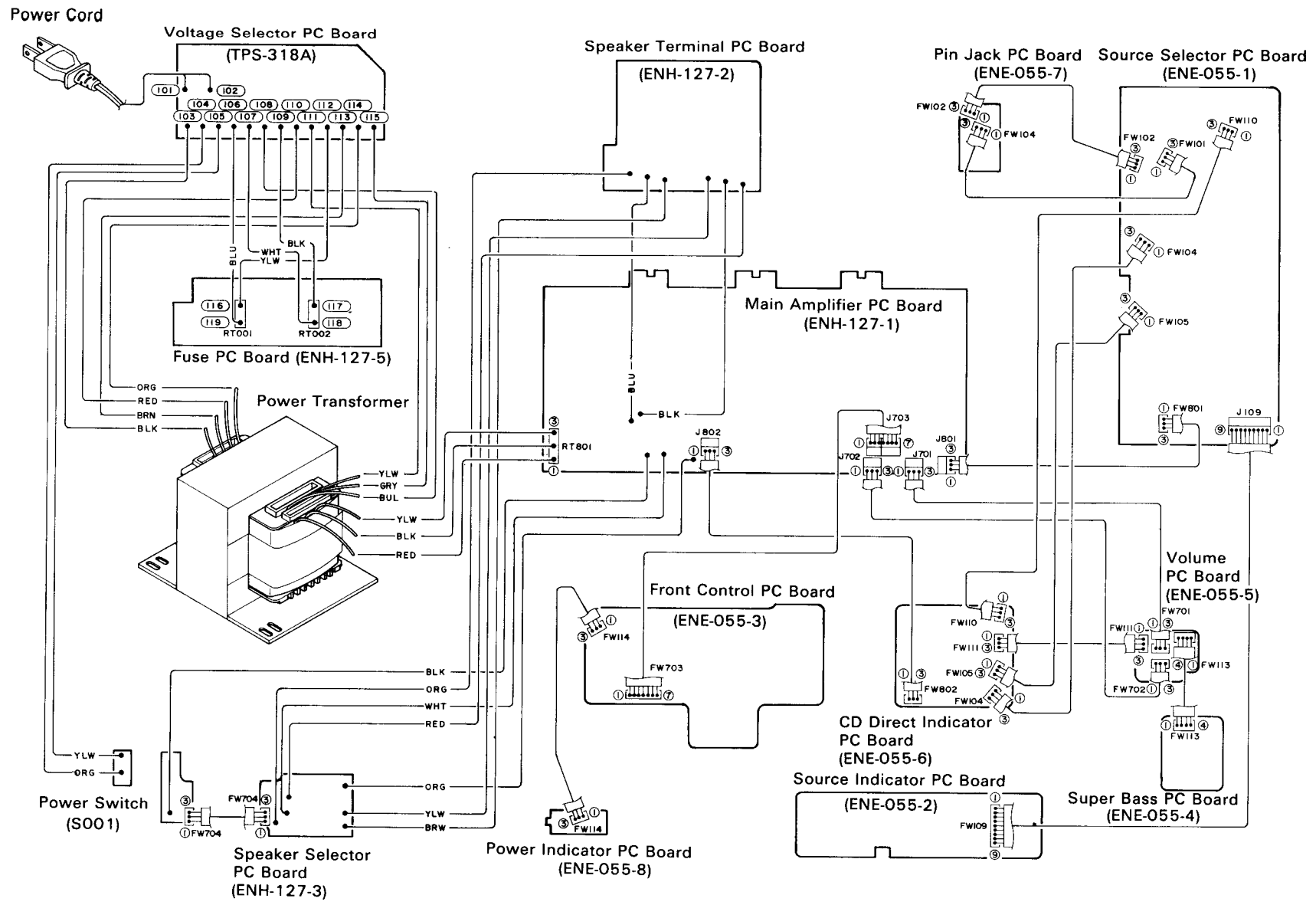
■ μPC1237HA (IC901): Relay Driver



■ NJM4558D-D (IC301): Dual OP Amp.



Connection Diagram



- MEMO -

JVC

VICTOR COMPANY OF JAPAN LIMITED
AUDIO PRODUCTS DIVISION, YAMATO PLANT, 1644, SHIMOTSURUMA, YAMATO-SHI, KANAGAWA-KEN, 242, JAPAN



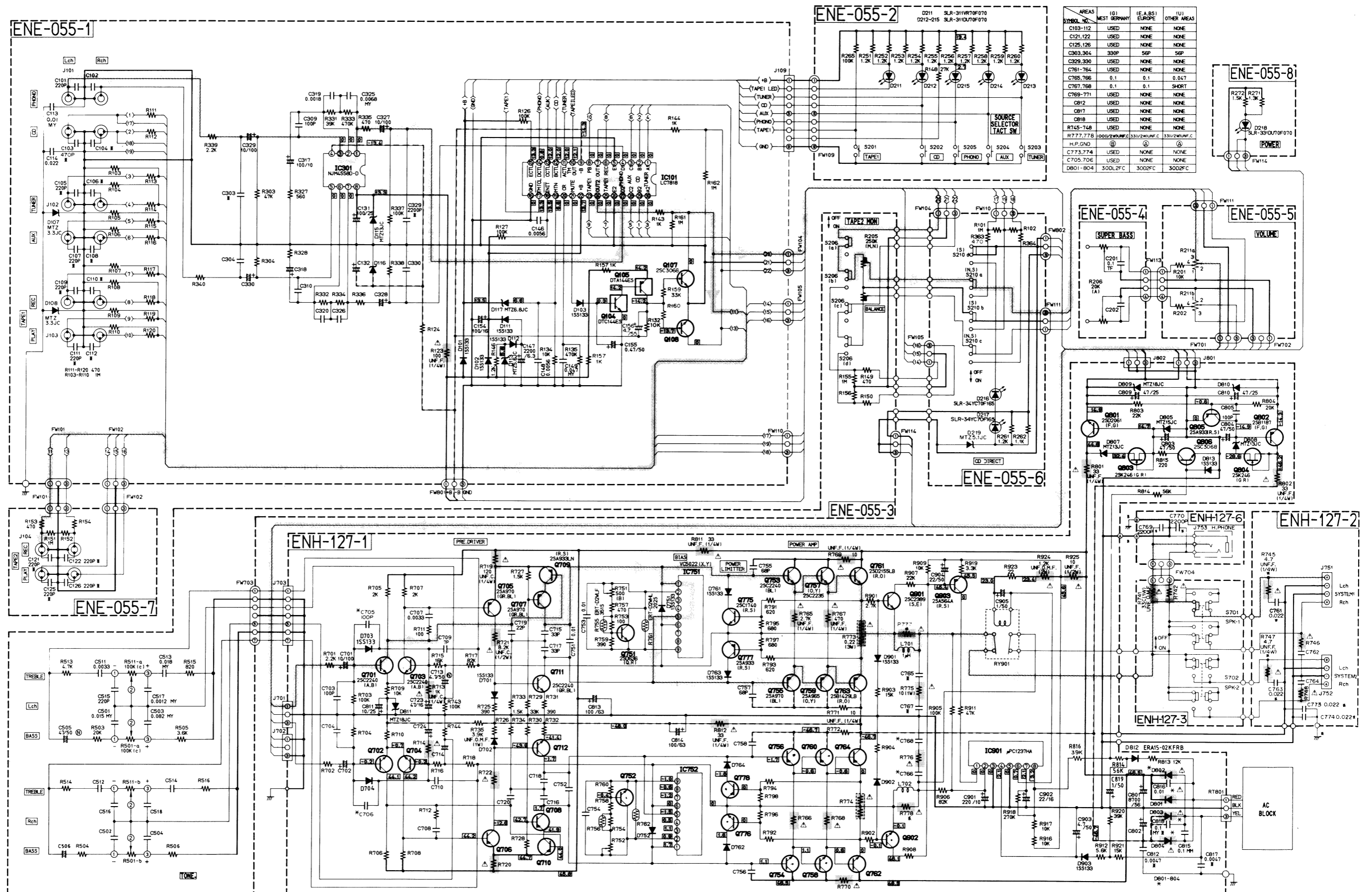
Schematic Diagrams

(1) Source Select and Main Amplifier Section

Notes:

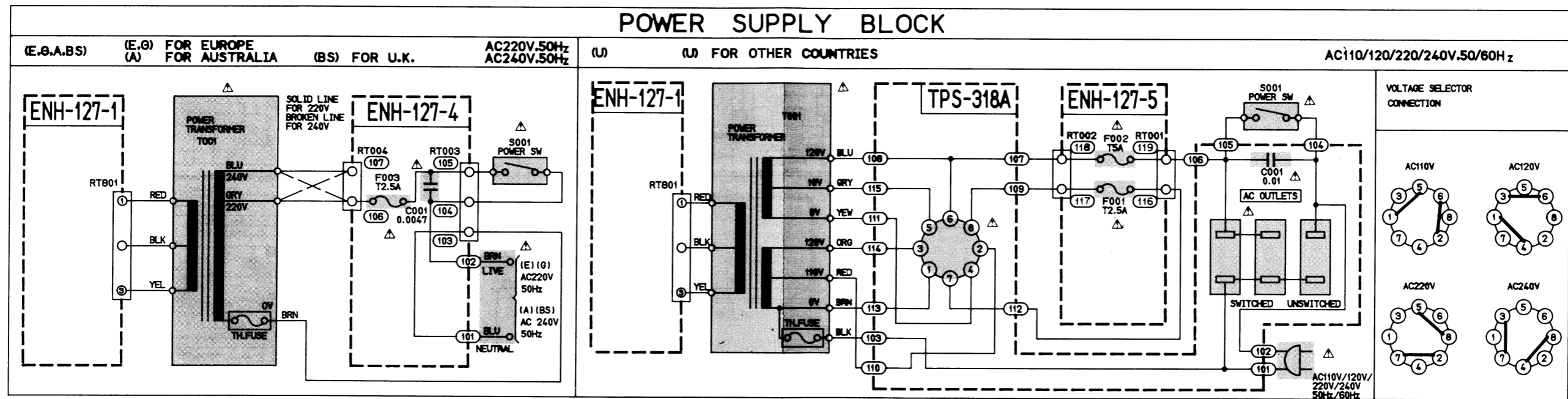
1. ——— indicates + B power supply.
2. - - - - - indicates - B power supply.
3. ······ indicates signal path.
4. shows DC voltage to the chassis with no signal input.

5. When replacing the parts in the darkened are () and those marked with Δ , be sure to use the designated parts to ensure safety.
6. This is the standard circuit diagram. The design and contents are subject to change without notice.



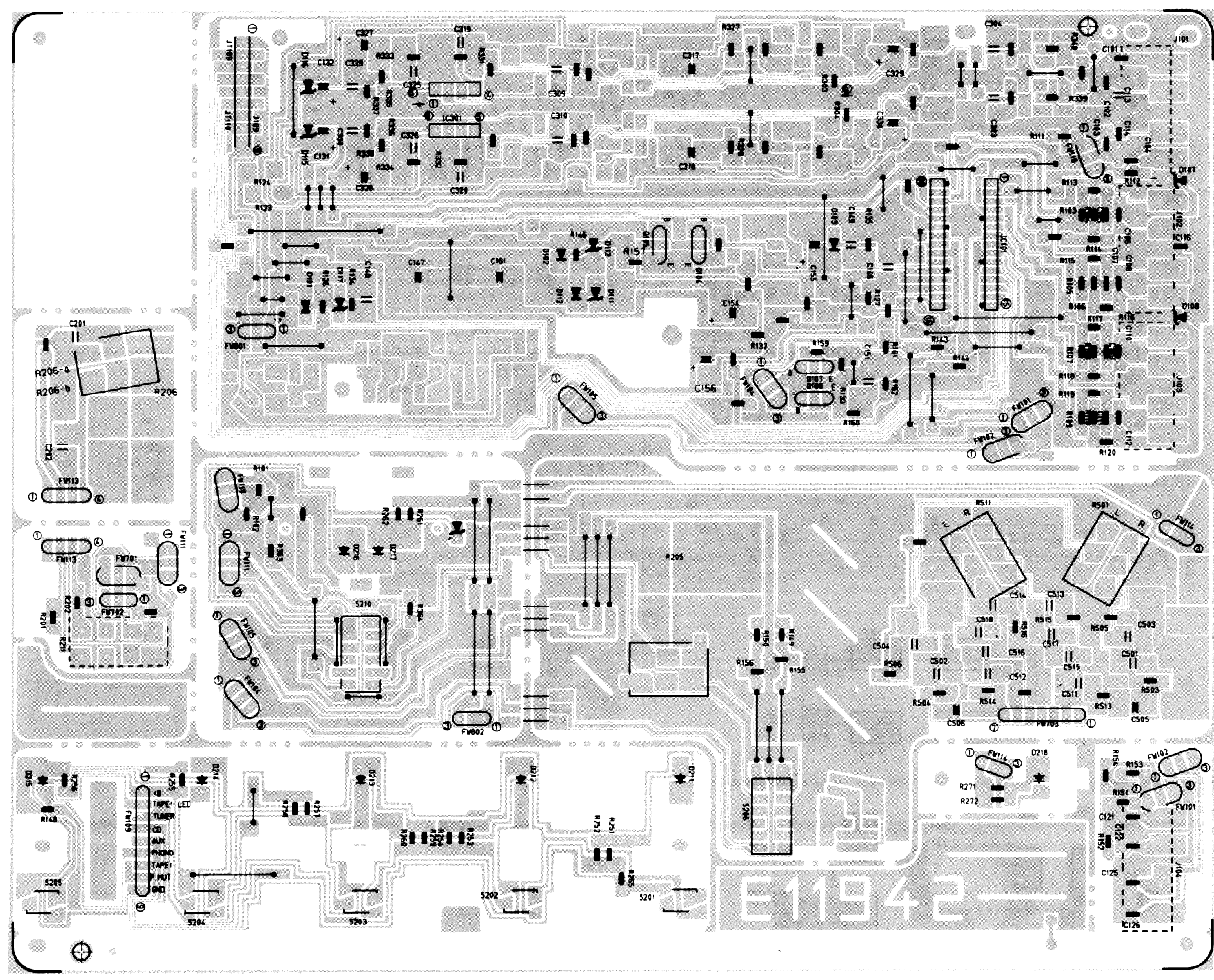
AREAS	(G)	(H)	(I)	(J)
SYMBOL NO.	WEST GERMANY	EUROPE	OTHER AREAS	OTHER AREAS
C103-112	USED	NONE	NONE	
C121-122	USED	NONE	NONE	
C125-126	USED	NONE	NONE	
C303-304	330P	56P	56P	
C329-330	USED	NONE	NONE	
C761-764	USED	NONE	NONE	
C765-766	0.1	0.1	0.047	
C767-768	0.1	0.1	SHORT	
C769-771	USED	NONE	NONE	
C812	USED	NONE	NONE	
C817	USED	NONE	NONE	
C818	USED	NONE	NONE	
C745-748	USED	NONE	NONE	
R777-778	00022WVMP.C	330V2WVMP.C	330V2WVMP.C	
H.P. COND.	①	②	③	
C73-774	USED	NONE	NONE	
C705-706	USED	NONE	NONE	
D801-804	30D,2FC	30D2FC	30D2FC	

(2) Power Supply Section

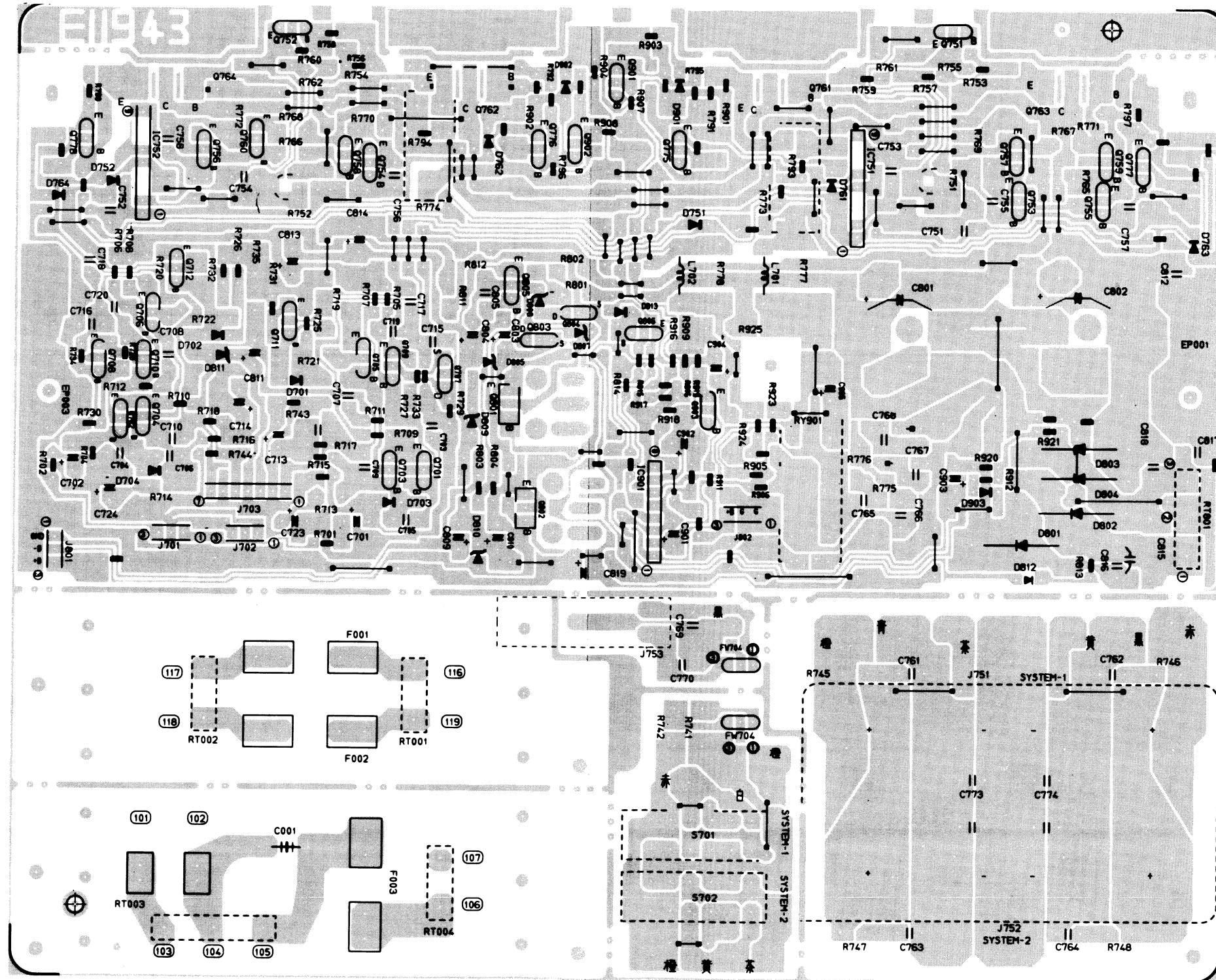


Printed Circuit Boards

■ Source Select PC Board (ENE-055)



■ Main Amplifier PC Board (ENH-127)

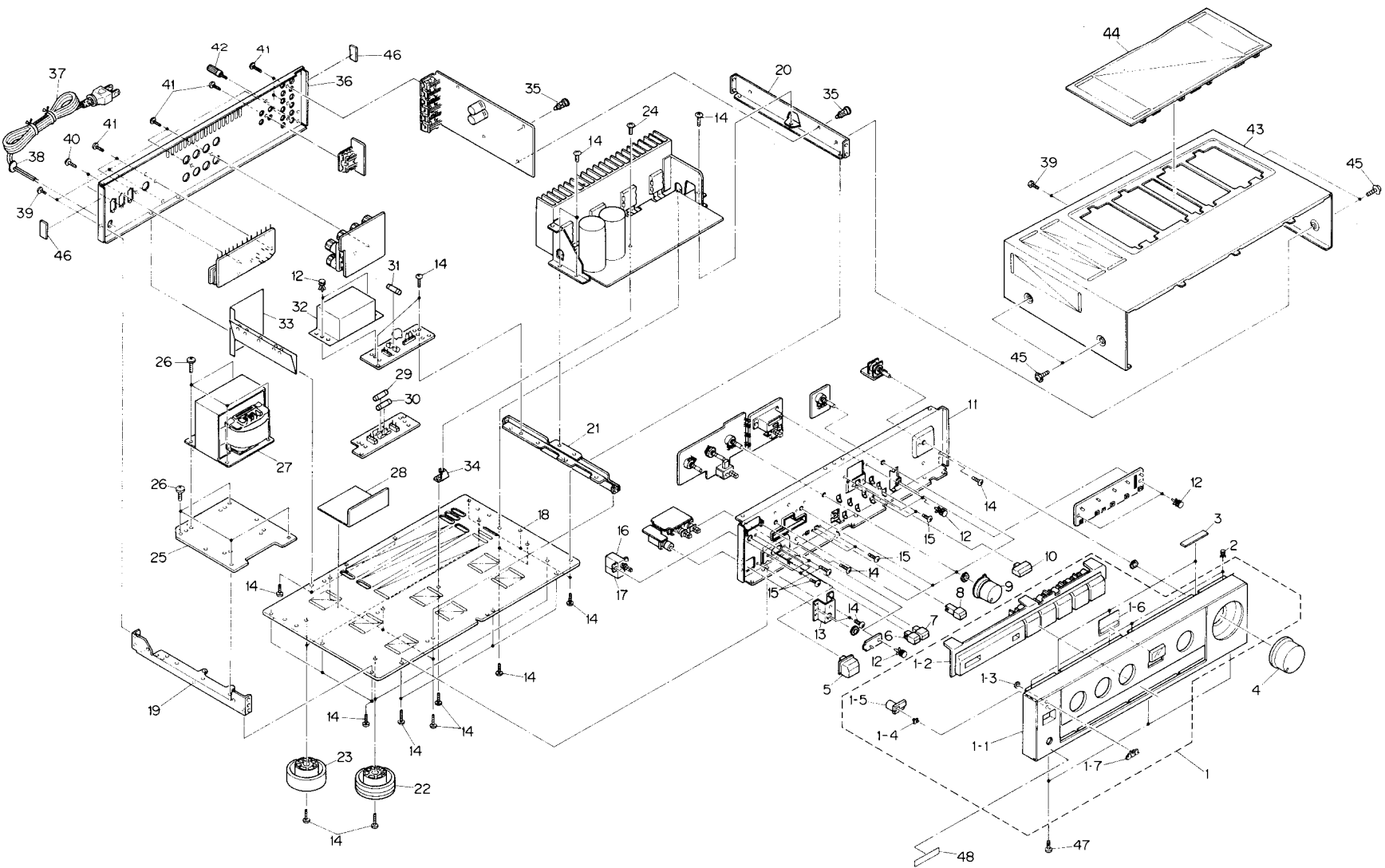


PARTS LIST

Contents

Exploded View and Parts List.....	2-2
Printed Circuit Board Ass'y and Parts List.....	2-5
■ ENH-127 □ Main Amplifier PC Board Ass'y.....	2-5
■ ENE-055 □ Source Selector PC Board Ass'y.....	2-8
■ TPS-318 <input type="checkbox"/> Voltage Selector PC Board Ass'y	2-10
Accessories List.....	2-11
Packing Materials and Part Numbers	2-12

Exploded View and Parts List



■ Parts List

⚠	Item	Part Number	Part Name	Q'ty	Description	Areas
	1	EFP-AX311BKE	Front Panel Ass'y	1		
	1-1	E26391-001	Front Panel	1		
	1-2	E26332-001	Push Button Ass'y	1		
	1-3	E60912-003	Speed Nut	1		
	1-4	E73522-001	Indicator	1		
	1-5	E75286-001	Holder	1		
	1-6	E75327-001	Indicator Sheet	1		
	1-7	E72968-001	JVC Mark	1		
	2	E48729-009	Plastic Rivet	3		
	3	EXO060007N40S	Spacer	3		
	4	E305980-001	Volume Knob	1		
	5	E75079-001	Power Button	1		
	6	E75073-001	Push Button	1		
	7	E75073-002	Push Button	1		
	8	E75182-001	Push Button	1		
	9	E305981-001	Knob	4		
	10	E75117-001	Push Button	1		
	11	E11953-001	Front Bracket	1		
	12	E48729-008	Plastic Rivet	5		U
		E48729-008	Plastic Rivet	7		except U
	13	E75183-001	Head Phone Bracket	1		
	14	SBSG3008CC	Screw	31		
	15	SBST3006CC	Screw	8		
⚠	16	QSP1106-004	Push Switch	1	Power	except BS
⚠		QSP1106-004BS	Push Switch	1	Power	BS
	17	E71004-001	Switch Cover	1		BS
	18	E26273-001	Bottom Cover	1		
	19	E305810-001	Side Bracket	1	Left	
	20	E305811-001	Side Bracket	1	Right	
	21	E305812-002	Center Bracket	1		
	22	E75088-001	Foot Ass'y	2	Front	
	23	E75088-002	Foot Ass'y	2	Rear	
	24	GBSB3008CC	Screw	1		
	25	E305803-002	Trans Bracket	1		
	26	E65389-004	Special Screw	8		
⚠	27	ETP1150-33EA	Power Transformer	1		E, G, A, EF
⚠		ETP1150-33EABS	Power Transformer	1		BS
⚠		ETP1150-33FA	Power Transformer	1		U
	—	E303260-189	Rating Label	1		E, G, EF
	28	E75353-001	Protect Cover	1		except U
⚠	29	QMF51A2-2R5S	Fuse	1	F001	U
⚠	30	QMF51A2-5R0S	Fuse	1	F002	U
⚠	31	QMF51A2-2R5S	Fuse	1	F003	E, G, A, EF
⚠		QMF51E2-2R5SBS	Fuse	1	F003	BS
	32	E306171-001	Protect Cover	1		except U

⚠: Safety Parts

⚠	Item	Part Number	Part Name	Q'ty	Description	Areas
	33	E305986-001	Protect Cover	1		
	34	E68587-008	Bracket	1		
	35	E303216-001	Fastener	2		
	36	E26334-001	Rear Panel	1		U
		E26334-002	Rear Panel	1		except U
⚠	37	QMP2560-244	Power Cord	1		A
⚠		QMP3900-200	Power Cord	1		E, G, EF
⚠		QMP7600-200	Power Cord	1		U
⚠		QMP9017-008BS	Power Cord	1		BS
⚠	38	QHS3876-162	Cord Stopper	1		except BS
⚠		QHS3876-162BS	Cord Stopper	1		BS
	39	SBSG3008M	Screw	5		
	40	SDSB3008M	Screw	2	AC Outlet	U
	41	E73273-001	Special Screw	8		U
		E73273-001	Special Screw	6		except U
	42	E70078-001	GND Terminal	1		
	43	E26336-001	Metal Cover	1		G, A, U
		E26336-002	Metal Cover	1		E, EF, BS
	44	E24134-008	Grill	1		E, EF, BS
	45	E61660-004	Special Screw	4		
	46	EXO040010R10S10	Spacer	2		
	47	SBSG3006M	Screw	3		
	48	E49267-001	Olign Marking Label	1		BS

⚠: Safety Parts

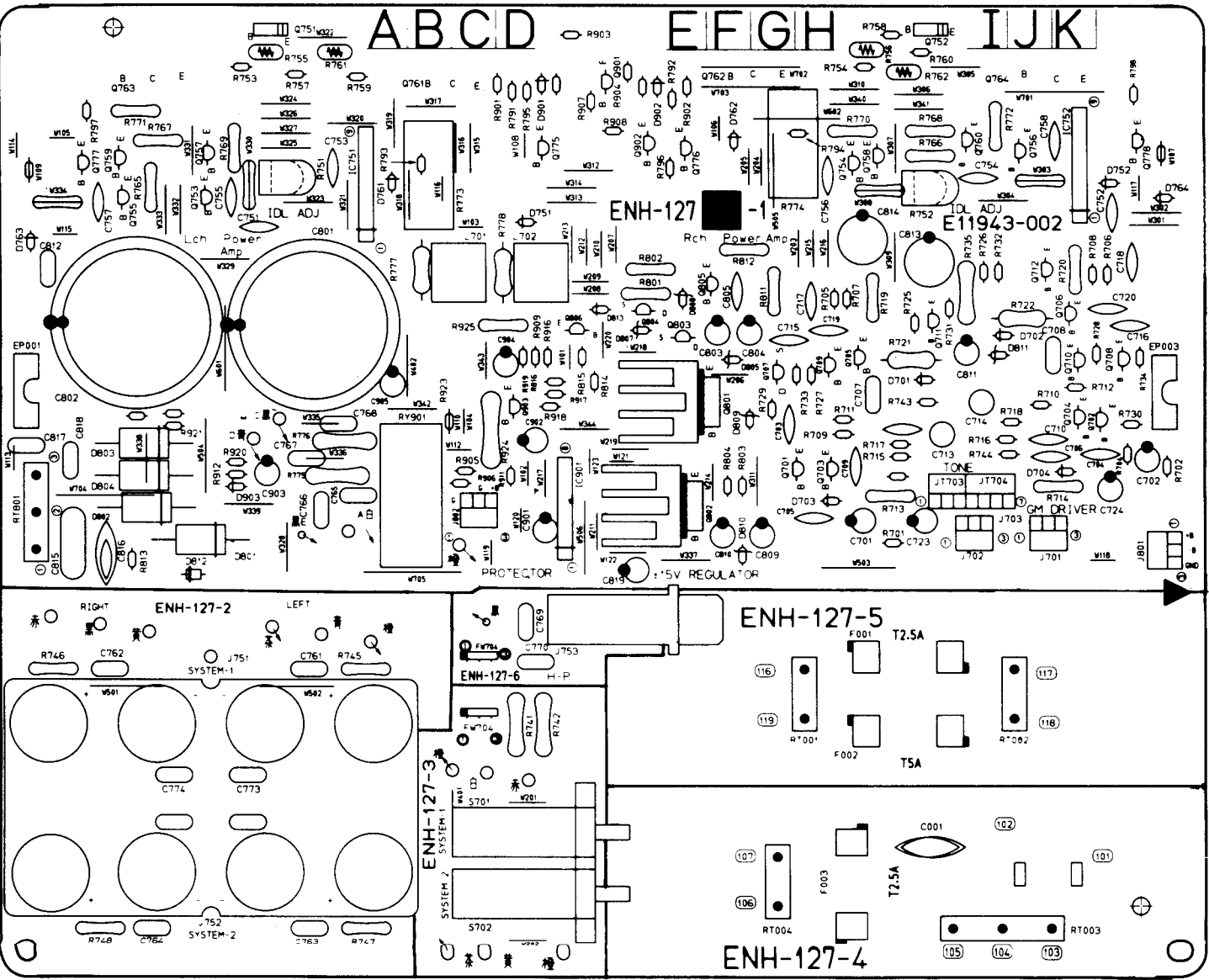
The Marks for Designated Areas

- E, EF Continental Europe
- G West Germany
- A Australia
- BS the U.K.
- U Other Countries
- No mark indicates all areas.**

Printed Circuit Board Ass'y and Parts List

■ ENH-127 □ Main Amplifier PC Board Ass'y

Note: ENH-127 □ varies according to the areas employed. See note (1) when placing an order.



Note (1)

PC Board Ass'y		Designated Areas	
ENH-127	A	Other Countries	PC Board Ass'y
ENH-127	B	Continental Europe, Australia	ENH-127
PC Board Ass'y		Designated Areas	
ENH-127	C	West Germany	ENH-127
ENH-127	D	the U.K.	BS

Transistors

Δ	ITEM	PART NUMBER	DESCRIPTION		AREA
				MAKER	
	Q701	2SC2240(A,B)	SILICON	TOSHIBA	
	Q702	2SC2240(A,B)	SILICON	TOSHIBA	
	Q703	2SC2240(A,B)	SILICON	TOSHIBA	
	Q704	2SC2240(A,B)	SILICON	TOSHIBA	
	Q705	2SA970(GR,BL)	SILICON	TOSHIBA	
	Q706	2SA970(GR,BL)	SILICON	TOSHIBA	
	Q707	2SA970(GR,BL)	SILICON	TOSHIBA	
	Q708	2SA970(GR,BL)	SILICON	TOSHIBA	
	Q709	2SA933LN(R,S)	SILICON	ROHM	
	Q710	2SA933LN(R,S)	SILICON	ROHM	
	Q711	2SC2240(GR,BL)	SILICON	TOSHIBA	
	Q712	2SC2240(GR,BL)	SILICON	TOSHIBA	
	Q751	2SD636(Q,R)	SILICON	MATSUSHITA	
	Q752	2SD636(Q,R)	SILICON	MATSUSHITA	
	Q753	2SC2240(GR)	SILICON	TOSHIBA	
	Q754	2SC2240(GR)	SILICON	TOSHIBA	
	Q755	2SA970(GR)	SILICON	TOSHIBA	
	Q756	2SA970(GR)	SILICON	TOSHIBA	
	Q757	2SC2235(O,Y)	SILICON	TOSHIBA	
	Q758	2SC2235(O,Y)	SILICON	TOSHIBA	
	Q759	2SA965(O,Y)	SILICON	TOSHIBA	
	Q760	2SA965(O,Y)	SILICON	TOSHIBA	
	Q761	2SD2155LB(R,D)	SILICON	TOSHIBA	
	Q762	2SD2155LB(R,D)	SILICON	TOSHIBA	
	Q763	2SB1429LB(R,D)	SILICON	TOSHIBA	
	Q764	2SB1429LB(R,D)	SILICON	TOSHIBA	
	Q775	2SC1740S(R,S)	SILICON	ROHM	
	Q776	2SC1740S(R,S)	SILICON	ROHM	
	Q777	2SA933S(R,S)	SILICON	ROHM	
	Q778	2SA933S(R,S)	SILICON	ROHM	
	Q801	2SD2061(F,G)	SILICON	ROHM	
	Q802	2SB1187(F,G)	SILICON	ROHM	
	Q803	2SK246(GR)	F.E.T		
	Q804	2SK246(GR)	F.E.T		
	Q805	2SA933S(R,S)	SILICON	ROHM	
	Q806	2SC3068	SILICON	SARYO	
	Q901	2SC2389(S,E)	SILICON	ROHM	
	Q902	2SC2389(S,E)	SILICON	ROHM	
	Q903	2SA564A(R,S)	SILICON		

Δ : SAFETY PARTS

I.C.s

Δ	ITEM	PART NUMBER	DESCRIPTION		AREA
				MAKER	
	IC751	VC5022(X,Y)	I.C.		
	IC752	VC5022(X,Y)	I.C.		
	IC901	UPC1237HA	I.C.		

Δ : SAFETY PARTS

Diodes

Δ	ITEM	PART NUMBER	DESCRIPTION		AREA
				MAKER	
	D701	1SS133	SILICON	ROHM	
	D702	1SS133	SILICON	ROHM	
	D703	1SS133	SILICON	ROHM	
	D704	1SS133	SILICON	ROHM	
	D751	1SS133	SILICON	ROHM	
	D752	1SS133	SILICON	ROHM	
	D761	1SS133	SILICON	ROHM	
	D762	1SS133	SILICON	ROHM	
	D763	1SS133	SILICON	ROHM	
	D764	1SS133	SILICON	ROHM	
	D801	30DL2FC	SILICON	NIHONINTER	C
	D801	30D2FC	SILICON	NIHONINTER	A
	D801	30D2FC	SILICON	NIHONINTER	B
	D801	30D2FC	SILICON	NIHONINTER	DBS
	D802	30DL2FC	SILICON	NIHONINTER	C
	D802	30D2FC	SILICON	NIHONINTER	A
	D802	30D2FC	SILICON	NIHONINTER	B
	D802	30D2FC	SILICON	NIHONINTER	DBS
	D803	30DL2FC	SILICON	NIHONINTER	C
	D803	30D2FC	SILICON	NIHONINTER	A
	D803	30D2FC	SILICON	NIHONINTER	B
	D803	30D2FC	SILICON	NIHONINTER	DBS
	D804	30DL2FC	SILICON	NIHONINTER	C
	D804	30D2FC	SILICON	NIHONINTER	A
	D804	30D2FC	SILICON	NIHONINTER	B
	D804	30D2FC	SILICON	NIHONINTER	DBS
	D805	MTZ15JC	ZENER	ROHM	
	D807	MTZ13JC	ZENER	ROHM	
	D808	MTZ13JC	ZENER	ROHM	
	D809	MTZ18JC	ZENER	ROHM	

Diodes

Δ	ITEM	PART NUMBER	DESCRIPTION		AREA
				MAKER	
	D810	MTZ18JC	ZENER	ROHM	
	D811	MTZ18JC	ZENER	ROHM	
	D812	ERA15-02L19	SILICON		
	D813	1SS133	SILICON	ROHM	
	D901	1SS133	SILICON	ROHM	
	D902	1SS133	SILICON	ROHM	
	D903	1SS133	SILICON	ROHM	

Δ : SAFETY PARTS

Capacitors

Δ	ITEM	PART NUMBER	DESCRIPTION		AREA
				MAKER	
	C001	QCZ9019-472	4700PF		B
	C001	QCZ9019-472	4700PF		C
	C001	QCZ9019-472BS	4700PF		DBS
	C701	EETB2AM-106E	10MF	100V	
	C702	EETB2AM-106E	10MF	100V	
	C703	QCS21HJ-101	100PF	50V	
	C704	QCS21HJ-101	100PF	50V	
	C705	QCS21HJ-101	100PF	50V	C
	C706	QCS21HJ-101	100PF	50V	C
	C707	QFN81HK-332	3300PF	50V	
	C708	QFN81HK-332	3300PF	50V	
	C709	QCS21HJ-100	10PF	50V	
	C710	QCS21HJ-100	10PF	50V	
	C713	QEN51HM-475	4.7MF	50V	
	C714	QEN51HM-475	4.7MF	50V	
	C715	QCS21HJ-330	33PF	50V	
	C716	QCS21HJ-330	33PF	50V	
	C717	QCS21HJ-330	33PF	50V	
	C718	QCS21HJ-330	33PF	50V	
	C719	QCS21HJ-220	22PF	50V	
	C720	QCS21HJ-220	22PF	50V	
	C723	QETB1CM-476	47MF	16V	
	C724	QETB1CM-476	47MF	16V	
	C751	QCF21HP-103	0.01MF	50V	
	C752	QCF21HP-103	0.01MF	50V	
	C753	QCF21HP-103	0.01MF	50V	
	C754	QCF21HP-103	0.01MF	50V	
	C755	QCS32HJ-680	68PF	500V	
	C756	QCS32HJ-680	68PF	500V	
	C757	QCS32HJ-680	68PF	500V	
	C758	QCS32HJ-680	68PF	500V	
	C761	QFN81HK-223	0.022MF	50V	C
	C762	QFN81HK-223	0.022MF	50V	C
	C763	QFN81HK-223	0.022MF	50V	C
	C764	QFN81HK-223	0.022MF	50V	C
	C765	QFN81HK-104	0.1MF	50V	B
	C765	QFN81HK-104	0.1MF	50V	C
	C765	QFN81HK-104	0.1MF	50V	DBS
	C765	QFN81HK-473	0.047MF	50V	A
	C766	QFN81HK-104	0.1MF	50V	B
	C766	QFN81HK-104	0.1MF	50V	A
	C766	QFN81HK-104	0.1MF	50V	C
	C766	QFN81HK-104	0.1MF	50V	DBS
	C766	QFN81HK-473	0.047MF	50V	A
	C767	QFN81HK-104	0.1MF	50V	B
	C767	QFN81HK-104	0.1MF	50V	C
	C767	QFN81HK-104	0.1MF	50V	DBS
	C768	QFN81HK-104	0.1MF	50V	B
	C768	QFN81HK-104	0.1MF	50V	C
	C768	QFN81HK-104	0.1MF	50V	DBS
	C769	QCF21HP-222	2200PF	50V	
	C770	QCF21HP-222	2200PF	50V	
	C773	QFN81HK-223	0.022MF	50V	
	C774	QFN81HK-223	0.022MF	50V	
	C801	QE20075-878E	8700MF	56V	
	C802	QE20075-878E	8700MF	56V	
	C803	QETB1HM-476	47MF	50V	
	C804	QETB1HM-476	47MF	50V	
	C805	QCS21HJ-101	100PF	50V	
	C809	QETB1EM-476	47MF	25V	
	C810	QETB1EM-476	47MF	25V	
	C811	QETB1EM-106	10MF	25V	
	C812	QFN32AK-472	4700PF	100V	
	C813	QETB1JM-107	100MF	63V	
	C814	QETB1JM-107	100MF	63V	
	C815	QFH42EK-104	0.1MF	250V	
	C816	QCE22HP-103A	0.01MF	500V	
	C817	QFN82AK-472	4700PF	100V	C
	C818	QFN82AK-104	0.1MF	100V	C
	C819	QETB1HM-105	1MF	50V	
	C901	QETB1AM-227	220MF	10V	

Capacitors

ITEM	PART NUMBER	DESCRIPTION	AREA
C902	QETB1CM-226	22MF 16V ELECTRO	
C903	QETB1HM-475	4.7MF 50V ELECTRO	
C904	QETB1HM-226	22MF 50V ELECTRO	
C905	QETB1HM-105	1MF 50V ELECTRO	

△ : SAFETY PARTS

Resistors

ITEM	PART NUMBER	DESCRIPTION	AREA
R701	QRD167J-222	2.2K 1/6W CARBON	
R702	QRD167J-222	2.2K 1/6W CARBON	
R703	QRD167J-104	100K 1/6W CARBON	
R704	QRD167J-104	100K 1/6W CARBON	
R705	QRD167J-202	2K 1/6W CARBON	
R706	QRD167J-202	2K 1/6W CARBON	
R707	QRD167J-202	2K 1/6W CARBON	
R708	QRD167J-202	2K 1/6W CARBON	
R709	QRD167J-103	10K 1/6W CARBON	
R710	QRD167J-103	10K 1/6W CARBON	
R711	QRD167J-101	100 1/6W CARBON	
R712	QRD167J-101	100 1/6W CARBON	
△ R713	QRD14CJ-102S	1K 1/4W UNF. CARBON	
△ R714	QRD14CJ-102S	1K 1/4W UNF. CARBON	
R715	QRD167J-163	16K 1/6W CARBON	
R716	QRD167J-163	16K 1/6W CARBON	
R717	QRD167J-823	82K 1/6W CARBON	
R718	QRD167J-823	82K 1/6W CARBON	
△ R719	QRD14CJ-121S	120 1/4W UNF. CARBON	
△ R720	QRD14CJ-121S	120 1/4W UNF. CARBON	
△ R721	QRD125J-822	8.2K 1/2W UNF. CARBON	
△ R722	QRD125J-822	8.2K 1/2W UNF. CARBON	
R725	QRD167J-391	390 1/6W CARBON	
R726	QRD167J-391	390 1/6W CARBON	
R727	QRD167J-152	1.5K 1/6W CARBON	
R728	QRD167J-152	1.5K 1/6W CARBON	
R729	QRD167J-333	33K 1/6W CARBON	
R730	QRD167J-333	33K 1/6W CARBON	
R731	QRD167J-391	390 1/6W CARBON	
R732	QRD167J-391	390 1/6W CARBON	
R733	QRD167J-152	1.5K 1/6W CARBON	
R734	QRD167J-152	1.5K 1/6W CARBON	
△ R735	QRG01CJ-392A	3.9K 1W O.M.FILM	A
△ R735	QRG01CJ-392A	3.9K 1W O.M.FILM	B
△ R735	QRG01CJ-392A	3.9K 1W O.M.FILM	C
△ R735	QRG01CJ-392A	3.9K 1W O.M.FILM	DBS
△ R741	QRG01CJ-331A	330 1W O.M.FILM	
△ R742	QRG01CJ-331A	330 1W O.M.FILM	
R743	QRD167J-104	100K 1/6W CARBON	
R744	QRD167J-104	100K 1/6W CARBON	
△ R745	QRZ0077-4R7	4.7 1/4W UNF. CARBON	C
△ R746	QRZ0077-4R7	4.7 1/4W UNF. CARBON	C
△ R747	QRZ0077-4R7	4.7 1/4W UNF. CARBON	C
△ R748	QRZ0077-4R7	4.7 1/4W UNF. CARBON	C
R751	QVPE601-501	500 0.15W VARIABLE	
R752	QVPE601-501	500 0.15W VARIABLE	
R753	QRD167J-101	100 1/6W CARBON	
R754	QRD167J-101	100 1/6W CARBON	
R755	ERT-D2WFL351S	350 1/4W THERMISTOR	
R756	ERT-D2WFL351S	350 1/4W THERMISTOR	
R757	QRD167J-471	470 1/6W CARBON	
R758	QRD167J-471	470 1/6W CARBON	
R759	QRD167J-391	390 1/6W CARBON	
R760	QRD167J-391	390 1/6W CARBON	
R761	ERT-D2WHL202S	2K 1/4W THERMISTOR	
△ R762	ERT-D2WHL202S	2K 1/4W THERMISTOR	
△ R765	QRZ0077-272	2.7K 1/4W FUSIBLE	
△ R766	QRZ0077-272	2.7K 1/4W FUSIBLE	
△ R767	QRZ0077-471	470 1/4W FUSIBLE	
△ R768	QRZ0077-471	470 1/4W FUSIBLE	
△ R769	QRZ0077-100	10 1/4W FUSIBLE	
△ R770	QRZ0077-100	10 1/4W FUSIBLE	
△ R771	QRZ0077-100	10 1/4W FUSIBLE	
△ R772	QRZ0077-100	10 1/4W FUSIBLE	
△ R773	ERF032K-R22	0.22 3W CEMENT	
△ R774	ERF032K-R22	0.22 3W CEMENT	
△ R775	QRG01CJ-100A	10 1W O.M.FILM	
△ R776	QRG01CJ-100A	10 1W O.M.FILM	
△ R777	QRD125J-101	100 1/2W UNF. CARBON	C
△ R777	QRD125J-330	33 1/2W UNF. CARBON	A
△ R777	QRD125J-330	33 1/2W UNF. CARBON	B
△ R778	QRD125J-101	100 1/2W UNF. CARBON	DBS
△ R778	QRD125J-330	33 1/2W UNF. CARBON	C
△ R778	QRD125J-330	33 1/2W UNF. CARBON	A
△ R778	QRD125J-330	33 1/2W UNF. CARBON	B
△ R778	QRD125J-330	33 1/2W UNF. CARBON	DBS
△ R791	QRD167J-621	620 1/6W CARBON	
△ R792	QRD167J-621	620 1/6W CARBON	
△ R793	QRD167J-621	620 1/6W CARBON	
△ R794	QRD167J-621	620 1/6W CARBON	

Resistors

ITEM	PART NUMBER	DESCRIPTION	AREA
R795	QRD167J-181	180 1/6W CARBON	
R796	QRD167J-181	180 1/6W CARBON	
R797	QRD167J-181	180 1/6W CARBON	
R798	QRD167J-181	180 1/6W CARBON	
△ R801	QRZ0077-330	33 1/4W FUSIBLE	
△ R802	QRZ0077-330	33 1/4W FUSIBLE	
△ R803	QRD167J-223	22K 1/6W CARBON	
△ R804	QRD167J-203	20K 1/6W CARBON	
△ R811	QRZ0077-330	33 1/4W FUSIBLE	
△ R812	QRZ0077-330	33 1/4W FUSIBLE	
R813	QRD167J-123	12K 1/6W CARBON	
R814	QRD167J-563	56K 1/6W CARBON	
R815	QRD167J-221	220 1/6W CARBON	
R816	QRD167J-393	39K 1/6W CARBON	
R901	QRD167J-272	2.7K 1/6W CARBON	
R902	QRD167J-272	2.7K 1/6W CARBON	
R903	QRD167J-153	15K 1/6W CARBON	
R904	QRD167J-153	15K 1/6W CARBON	
R905	QRD167J-104	100K 1/6W CARBON	
R906	QRD167J-823	82K 1/6W CARBON	
R907	QRD167J-223	22K 1/6W CARBON	
R908	QRD167J-223	22K 1/6W CARBON	
R909	QRD167J-103	10K 1/6W CARBON	
R911	QRD167J-473	47K 1/6W CARBON	
R912	QRD167J-562	5.6K 1/6W CARBON	
R916	QRD167J-103	10K 1/6W CARBON	
R917	QRD167J-103	10K 1/6W CARBON	
R918	QRD167J-274	270K 1/6W CARBON	
R919	QRD167J-332	3.3K 1/6W CARBON	
R920	QRD167J-393	39K 1/6W CARBON	
R921	QRD167J-153	15K 1/6W CARBON	
R923	QRD167J-220	22 1/6W CARBON	
△ R924	QRG02CJ-122A	1.2K 2W O.M. FILM	
△ R925	QRZ0077-100	10 1/4W FUSIBLE	

△ : SAFETY PARTS

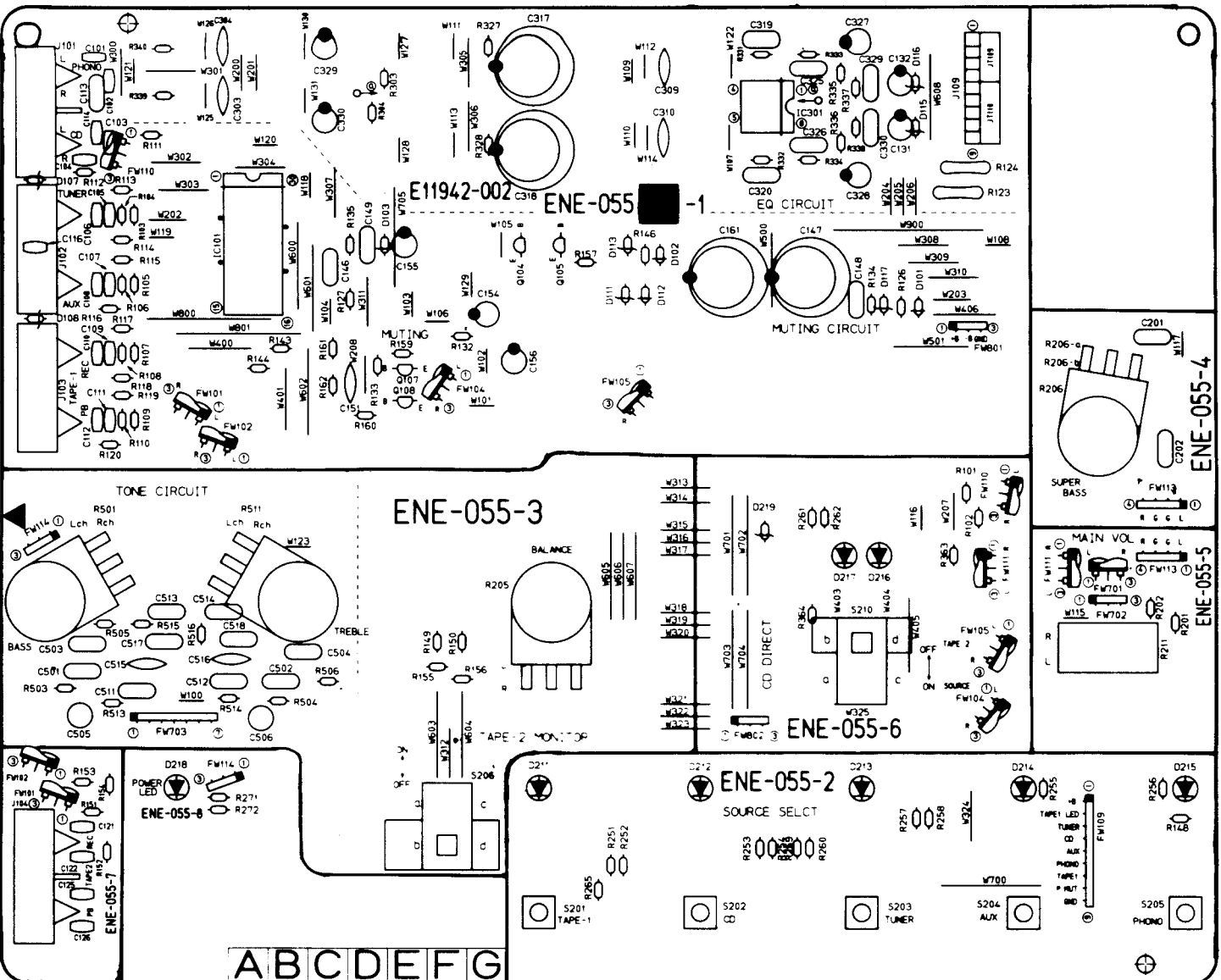
Others

ITEM	PART NUMBER	DESCRIPTION	AREA
	EMG7331-002U	FUSE CLIP	
	EMG7331-002	FUSE CLIP	
	E11943-002	CIRCUIT BOARD	A
	E11943-002	CIRCUIT BOARD	B
	E11943-002	CIRCUIT BOARD	C
	E11943-002BS	CIRCUIT BOARD	DBS
	E300209-029	HEAT SINK	
	E305804-001	INSTRUCTION BOOK	
	E305805-001	INSTRUCTION BOOK	
	E33754-001	TIE BAND	
	E65508-002	TAB	B
	E65508-002	TAB	C
	E65508-002	TAB	DBS
	E70945-H25	HEAT SINK	
	E73525-003	SCREW	
	G8SB3008CC	SCREW	
	SBSB3008CC	SCREW	
	SBSB3008CC	SCREW	
J701	EMV7122-003	CONNECTOR	
J702	EMV7122-003	CONNECTOR	
J751	EMB00TP-801C	SPEAKER TERMINAL	
J752	EMB00TP-801C	SPEAKER TERMINAL	
J753	QMS6440-021	HEADPHONE JACK	
J801	EMV7122-003	CONNECTOR	
J802	EMV7122-003	CONNECTOR	
L701	EQL0001-1R0	INDUCTOR	
L702	EQL0001-1R0	INDUCTOR	
S701	QST4231-E04	PUSH SWITCH	
S702	QST4231-E04	PUSH SWITCH	
EP001	E70859-001	EARTH PLATE	C
EP003	E70859-001	EARTH PLATE	
FW704	EWR338-08SSST	FLAT WIRE	
JT703	EMV7122-003	CONNECTOR	
JT704	EMV7122-004	CONNECTOR	
RT001	E67764-202	WRAPPING TERMINAL	A
RT002	E67764-202	WRAPPING TERMINAL	A
RT003	E67764-203	WRAPPING TERMINAL	B
RT003	E67764-203	WRAPPING TERMINAL	DBS
RT003	E67764-203	WRAPPING TERMINAL	C
RT004	E67764-202	WRAPPING TERMINAL	B
RT004	E67764-202	WRAPPING TERMINAL	C
RT004	E67764-202	WRAPPING TERMINAL	DBS
RT801	E67764-103	WRAPPING TERMINAL	
RY901	ESK5D24-218	RELAY	

△ : SAFETY PARTS

■ ENE-055 □ Source Selector PC Board Ass'y

Note: ENE-055 □ varies According to the areas employed. See note (1) when placing an order.



Note (1)

PC Board Ass'y	Designated Areas
ENE-055 <input type="checkbox"/> A	Other Countries
ENE-055 <input type="checkbox"/> B	Continental Europe, the U.K., Australia
ENE-055 <input type="checkbox"/> C	West Germany

Transistors

ITEM	PART NUMBER	DESCRIPTION		AREA
			MAKER	
Q104	DTC144ES	SILICON	ROHM	
Q105	DTA144ES	SILICON	ROHM	
Q107	2SC3068	SILICON	SANYO	
Q108	2SC3068	SILICON	SANYO	

△ : SAFETY PARTS

I.C.s

ITEM	PART NUMBER	DESCRIPTION		AREA
			MAKER	
IC101	LC7818	I.C.	SANYO	
IC301	NJM4558D-D	I.C.		

△ : SAFETY PARTS

Diodes

ITEM	PART NUMBER	DESCRIPTION		AREA
			MAKER	
D101	1SS133	SILICON	ROHM	
D102	1SS133	SILICON	ROHM	
D103	1SS133	SILICON	ROHM	
D107	MTZ3.3JB	ZENER	ROHM	
D108	MTZ3.3JB	ZENER	ROHM	
D111	1SS133	SILICON	ROHM	
D112	1SS133	SILICON	ROHM	
D113	MTZ5.6JC	ZENER	ROHM	
D115	MTZ13JC	ZENER	ROHM	
D116	MTZ13JC	ZENER	ROHM	
D117	MTZ6.8JC	ZENER	ROHM	
D211	SLR-331VR50F070	L.E.D.	ROHM	
D212	SLR-331DU50F070	L.E.D.	ROHM	
D213	SLR-331DU50F070	L.E.D.	ROHM	
D214	SLR-331DU50F070	L.E.D.	ROHM	
D215	SLR-331DU50F070	L.E.D.	ROHM	
D216	SLR-34YC50F165	L.E.D.	ROHM	
D217	SLR-34YC50F165	L.E.D.	ROHM	
D218	SLR-331DU70F070	L.E.D.	ROHM	
D219	MTZ5.1JC	ZENER	ROHM	

△ : SAFETY PARTS

Capacitors

ITEM	PART NUMBER	DESCRIPTION			AREA
C101	QCBB1HK-221	220PF	50V	CERAMIC	
C102	QCBB1HK-221	220PF	50V	CERAMIC	
C103	QCBB1HK-471	470PF	50V	CERAMIC	
C104	QCBB1HK-471	470PF	50V	CERAMIC	
C105	QCBB1HK-221	220PF	50V	CERAMIC	
C106	QCBB1HK-221	220PF	50V	CERAMIC	
C107	QCBB1HK-221	220PF	50V	CERAMIC	
C108	QCBB1HK-221	220PF	50V	CERAMIC	
C109	QCBB1HK-221	220PF	50V	CERAMIC	
C110	QCBB1HK-221	220PF	50V	CERAMIC	
C111	QCBB1HK-221	220PF	50V	CERAMIC	
C112	QCBB1HK-221	220PF	50V	CERAMIC	
C113	QFN81HJ-103	0.01MF	50V	MYLAR	
C114	QCHB1EZ-223	0.022MF	25V	CERAMIC	
C121	QCBB1HK-221	220PF	50V	CERAMIC	
C122	QCBB1HK-221	220PF	50V	CERAMIC	
C125	QCBB1HK-221	220PF	50V	CERAMIC	
C126	QCBB1HK-221	220PF	50V	CERAMIC	
C131	QETB1EM-107	100MF	25V	ELECTRO	
C132	QETB1EM-107	100MF	25V	ELECTRO	
C146	QFN81HJ-562	5600PF	50V	MYLAR	
C147	QETBOJM-228	2200MF	6.3V	ELECTRO	
C148	QFN81HJ-562	5600PF	50V	MYLAR	
C149	QFN81HK-473	0.047MF	50V	MYLAR	
C154	QETB1CM-107	100MF	16V	ELECTRO	
C155	QETB1HM-474	0.47MF	50V	ELECTRO	
C156	QETB1HM-475	4.7MF	50V	ELECTRO	
C201	QFV81HJ-104	0.1MF	50V	T.FILM	
C202	QFV81HJ-104	0.1MF	50V	T.FILM	
C303	QCS21HJ-331	330PF	50V	CERAMIC	
C303	QCS21HJ-560	56PF	50V	CERAMIC	
C303	QCS21HJ-560	56PF	50V	CERAMIC	
C304	QCS21HJ-331	330PF	50V	CERAMIC	
C304	QCS21HJ-560	56PF	50V	CERAMIC	
C304	QCS21HJ-560	56PF	50V	CERAMIC	

Capacitors

ITEM	PART NUMBER	DESCRIPTION			AREA
C309	QCS21HJ-101	100PF	50V	CERAMIC	
C310	QCS21HJ-101	100PF	50V	CERAMIC	
C317	QETB1AM-107	100MF	10V	ELECTRO	
C318	QETB1AM-107	100MF	10V	ELECTRO	
C319	QFN81HJ-182	1800PF	50V	MYLAR	
C320	QFN81HJ-182	1800PF	50V	MYLAR	
C325	QFN81HJ-682	6800PF	50V	MYLAR	
C326	QFN81HJ-682	6800PF	50V	MYLAR	
C327	EETB2AM-106E	10MF	100V	ELECTRO	
C328	EETB2AM-106E	10MF	100V	ELECTRO	
C329	QFN81HJ-222	2200PF	50V	MYLAR	
C330	QFN81HJ-222	2200PF	50V	MYLAR	
C331	EETB2AM-106E	10MF	100V	ELECTRO	
C332	EETB2AM-106E	10MF	100V	ELECTRO	
C501	QFN81HK-153	0.015MF	50V	MYLAR	
C502	QFN81HK-153	0.015MF	50V	MYLAR	
C503	QFN81HK-823	0.082MF	50V	MYLAR	
C504	QFN81HK-823	0.082MF	50V	MYLAR	
C505	QEN51HM-475	4.7MF	50V	NON POLE	
C506	QEN51HM-475	4.7MF	50V	NON POLE	
C511	QFN81HK-332	3300PF	50V	MYLAR	
C512	QFN81HK-332	3300PF	50V	MYLAR	
C513	QFN81HK-183	0.018MF	50V	MYLAR	
C514	QFN81HK-183	0.018MF	50V	MYLAR	
C515	QCS21HJ-221	220PF	50V	CERAMIC	
C516	QCS21HJ-221	220PF	50V	CERAMIC	
C517	QFN81HK-122	1200PF	50V	MYLAR	
C518	QFN81HK-122	1200PF	50V	MYLAR	

△ : SAFETY PARTS

Resistors

ITEM	PART NUMBER	DESCRIPTION			AREA
R101	QRD167J-105	1M	1/6W	CARBON	
R102	QRD167J-105	1M	1/6W	CARBON	
R103	QRD167J-105	1M	1/6W	CARBON	
R104	QRD167J-105	1M	1/6W	CARBON	
R105	QRD167J-105	1M	1/6W	CARBON	
R106	QRD167J-105	1M	1/6W	CARBON	
R107	QRD167J-105	1M	1/6W	CARBON	
R108	QRD167J-105	1M	1/6W	CARBON	
R109	QRD167J-105	1M	1/6W	CARBON	
R110	QRD167J-105	1M	1/6W	CARBON	
R111	QRD167J-471	470	1/6W	CARBON	
R112	QRD167J-471	470	1/6W	CARBON	
R113	QRD167J-471	470	1/6W	CARBON	
R114	QRD167J-471	470	1/6W	CARBON	
R115	QRD167J-471	470	1/6W	CARBON	
R116	QRD167J-471	470	1/6W	CARBON	
R117	QRD167J-471	470	1/6W	CARBON	
R118	QRD167J-471	470	1/6W	CARBON	
R119	QRD167J-471	470	1/6W	CARBON	
R120	QRD167J-471	470	1/6W	CARBON	
R123	QRZ0077-101	100	1/4W	FUSI BLE	
R124	QRZ0077-101	100	1/4W	FUSI BLE	
R126	QRD167J-104	100K	1/6W	CARBON	
R127	QRD167J-104	100K	1/6W	CARBON	
R132	QRD167J-103	10K	1/6W	CARBON	
R134	QRD167J-103	10K	1/6W	CARBON	
R135	QRD167J-474	470K	1/6W	CARBON	
R143	QRD167J-102	1K	1/6W	CARBON	
R144	QRD167J-102	1K	1/6W	CARBON	
R146	QRD167J-122	1.2K	1/6W	CARBON	
R149	QRD167J-471	470	1/6W	CARBON	
R150	QRD167J-471	470	1/6W	CARBON	
R151	QRD167J-105	1M	1/6W	CARBON	
R152	QRD167J-105	1M	1/6W	CARBON	
R153	QRD167J-471	470	1/6W	CARBON	
R154	QRD167J-471	470	1/6W	CARBON	
R155	QRD167J-105	1M	1/6W	CARBON	
R156	QRD167J-105	1M	1/6W	CARBON	
R157	QRD167J-102	1K	1/6W	CARBON	
R159	QRD167J-333	33K	1/6W	CARBON	
R160	QRD167J-333	33K	1/6W	CARBON	
R161	QRD167J-105	1M	1/6W	CARBON	
R162	QRD167J-105	1M	1/6W	CARBON	
R201	QRD167J-103	10K	1/6W	CARBON	
R202	QRD167J-103	10K	1/6W	CARBON	
R205	QVDBB7M-EF5B	250K		VARIABLE	
R206	QVDBB7A-E24B	20K		VARIABLE	
R211	QVDBA7B-AF5VA	250K		VARIABLE	
R251	QRD167J-122	1.2K	1/6W	CARBON	
R252	QRD167J-122	1.2K	1/6W	CARBON	
R253	QRD167J-122	1.2K	1/6W	CARBON	
R254	QRD167J-122	1.2K	1/6W	CARBON	
R255	QRD167J-122	1.2K	1/6W	CARBON	
R256	QRD167J-122	1.2K	1/6W	CARBON	
R257	QRD167J-122	1.2K	1/6W	CARBON	

△ : SAFETY PARTS

Resistors

△	ITEM	PART NUMBER	DESCRIPTION			AREA
	R258	QRD167J-122	1.2K	1/6W	CARBON	
	R259	QRD167J-122	1.2K	1/6W	CARBON	
	R260	QRD167J-122	1.2K	1/6W	CARBON	
	R261	QRD167J-122	1.2K	1/6W	CARBON	
	R262	QRD167J-112	1.1K	1/6W	CARBON	
	R265	QRD167J-104	100K	1/6W	CARBON	
	R271	QRD167J-132	1.3K	1/6W	CARBON	
	R272	QRD167J-152	1.5K	1/6W	CARBON	
	R303	QRD167J-473	47K	1/6W	CARBON	
	R304	QRD167J-473	47K	1/6W	CARBON	
	R327	QRD167J-561	560	1/6W	CARBON	
	R328	QRD167J-561	560	1/6W	CARBON	
	R331	QRD167J-393	39K	1/6W	CARBON	
	R332	QRD167J-393	39K	1/6W	CARBON	
	R333	QRD167J-474	470K	1/6W	CARBON	
	R334	QRD167J-474	470K	1/6W	CARBON	
	R335	QRD167J-471	470	1/6W	CARBON	
	R336	QRD167J-471	470	1/6W	CARBON	
	R337	QRD167J-104	100K	1/6W	CARBON	
	R338	QRD167J-104	100K	1/6W	CARBON	
	R339	QRD167J-222	2.2K	1/6W	CARBON	
	R340	QRD167J-222	2.2K	1/6W	CARBON	
	R363	QRD167J-471	470	1/6W	CARBON	
	R364	QRD167J-471	470	1/6W	CARBON	
	R501	QVDB87C-E15B	100K		VARIABLE	
	R503	QRD167J-203	20K	1/6W	CARBON	
	R504	QRD167J-203	20K	1/6W	CARBON	
	R505	QRD167J-362	3.6K	1/6W	CARBON	
	R506	QRD167J-362	3.6K	1/6W	CARBON	
	R511	QVDB87C-E15B	100K		VARIABLE	
	R513	QRD167J-472	4.7K	1/6W	CARBON	
	R514	QRD167J-472	4.7K	1/6W	CARBON	
	R515	QRD167J-821	820	1/6W	CARBON	
	R516	QRD167J-821	820	1/6W	CARBON	

△ : SAFETY PARTS

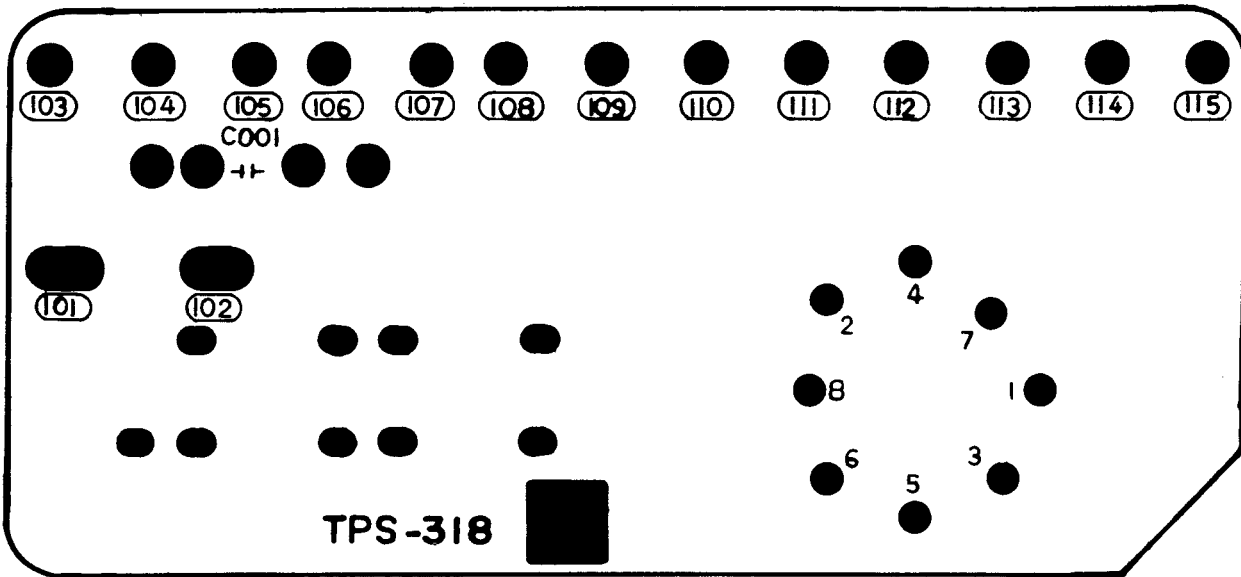
Others

△	ITEM	PART NUMBER	DESCRIPTION		AREA
		E11942-002	CIRCUIT BOARD		
		E305983-001	HOLDER		
	J101	EMN00TV-405A	4P PIN JACK		
	J102	EMN00TV-402A	4P PIN JACK		
	J103	EMN00TV-402A	4P PIN JACK		
	J104	EMN00TV-402A	4P PIN JACK		
	S201	ESPO001-018	TACT SWITCH		
	S202	ESPO001-018	TACT SWITCH		
	S203	ESPO001-018	TACT SWITCH		
	S204	ESPO001-018	TACT SWITCH		
	S205	ESPO001-018	TACT SWITCH		
	S206	QSTL101-E03	PUSH SWITCH		
	S210	QSTL101-E04	PUSH SWITCH		
	FW101	EWR23C-20NN	FLAT WIRE		
	FW102	EWR23C-20NN	FLAT WIRE		
	FW104	EWR23C-30NN	FLAT WIRE		
	FW105	EWR23C-25NN	FLAT WIRE		
	FW109	EWR39B-20KST	FLAT WIRE		
	FW110	EWR23C-35NN	FLAT WIRE		
	FW111	EWR23C-16NN	FLAT WIRE		
	FW113	EWR34B-20SST	FLAT WIRE		
	FW114	EWR33B-13SST	FLAT WIRE		
	FW701	EWR23C-10JN	FLAT WIRE		
	FW702	EWR33B-13KST	FLAT WIRE		
	FW703	EWR37B-35KST	FLAT WIRE		
	FW801	EWR33B-10KST	FLAT WIRE		
	FW802	EWR33B-13KST	FLAT WIRE		
	JT109	EMV7122-004	CONNECTOR		
	JT110	EMV7122-005	CONNECTOR		

△ : SAFETY PARTS

■ TPS-318 A Voltage Selector PC Board Ass'y

(Except for Europe, Australia, West Germany, the U.K.)



Capacitors

△	ITEM	PART NUMBER	DESCRIPTION		AREA
		QC29018-103	0.01MF	CERAMIC	



△ : SAFETY PARTS

Others

△	ITEM	PART NUMBER	DESCRIPTION		AREA
		E302057-002	CIRCUIT BOARD		
		E65508-002	TAB		
		E67764-302	WRAPPING TERMINAL		
		E67764-303	WRAPPING TERMINAL		
		E67764-304	WRAPPING TERMINAL		
△		QMC0637-004	AC OUTLET		
△		QSRO085-006U	VOLTAGE SELECTOR		

△ : SAFETY PARTS

Accessories List

	Part Number	Part Name	Q'ty	Description	Areas
	E30580-1517A	Instruction Book	1	for Australia	except BS
	E30580-1517ABS	Instruction Book	1		BS
	BT20029C	Warranty Card	1		A
	BT20060	Warranty Card	1		BS
	BT-20064A	Warranty Card	1		G
	BT20066A	EEC Agency	1	for New Zealand	G, BS
	BT20098	Audio Warranty Card	1		A
	QZL1008-001	FTZ Information Sheet	1		G
	E43486-340A	Safety Sheet	1		BS
	E04056	Siemens Plug	1		U
	E41202-2	Envelope	1		except BS
	E41202-2B	Envelope	1		BS

: Safety Parts

The Marks for Designated Areas

E, EF Continental Europe

G West Germany

A Australia

BS the U.K.

U Other Countries

No mark indicates all areas.

Packing Materials and Part Numbers

